

IMPORTANT NOTICE

⚠ Statement

First time use may accompany itch or slight bleeding due to the fact that your gum just starts getting used to the high frequency cleaning of electric toothbrush. Kindly suggest begin with Soft Mode or Sensitive Brush Head. Generally speaking, this phenomenon will disappear after 1 - 2 weeks. If you do not feel any significant improvement after more than 2 weeks, please stop using this product and promptly consult your dentist. This product is not suitable for users that under the age of 6.

*Tips

1. Do not share brush head with others.
2. Do not wrap the charging cable around the charging base while charging.
3. Do not put the travel case in water or any liquid.

*Notes

1. This product is designed for oral cleansing. Do not use it for any other purpose. If you experience any discomfort or pain, please stop using the product and consult your dentist.
2. Make sure to check this product for any apparent damage before using it. If damaged or dropped, the product should not be used.
3. Before connecting to the power supply, please check whether the local power supply voltage meets the specification of the product.
4. Do not use the product if any damage is found on the charging base.
5. Replace brush head every 3 months.

*Warnings

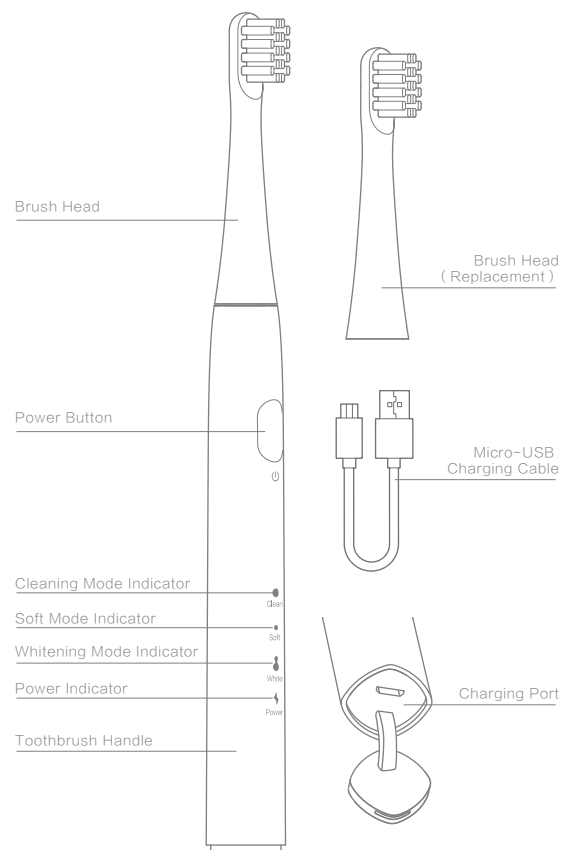
1. Consult your dental professional before use if you once had orthodontic treatment, dental prosthesis or implantation.
2. This product complies with the safety standards for electromagnetic devices. If you have a pacemaker or other implanted device, contact your physician or the device manufacturer before use.
3. This product contains a built-in rechargeable battery. Please keep the product away from flames, and avoid charging, using, or placing it in high temperature.
4. Don't put the charging base in water or other liquid.
5. Make sure the power plug and interface are completely dry before connecting to the power supply.
6. Do not bump or drop the product. If it is damaged due a collision or being dropped, please stop using the product.
7. Do not modify, disassemble or repair the product by yourself.
8. Do not use the product in shower or bath.
9. Do not place metal objects on the charging base.
10. This appliance is not intended for use by persons (including children) with reduced physical, sensory or mental capabilities, or lack of experience and knowledge, unless they have been given supervision or instruction concerning use of the appliance by a person responsible for their safety.
11. Children should be supervised to ensure that they do not play with the appliance.
12. It must only be supplied at safety extra low voltage corresponding to the marking on the appliance.
13. This appliance contains batteries that are non-replaceable.

Version: V1.0

1

I Introduction

Thank you for choosing us as your oral health assistant. Please check the list below to check if you have all the accessories.



2

II Usage

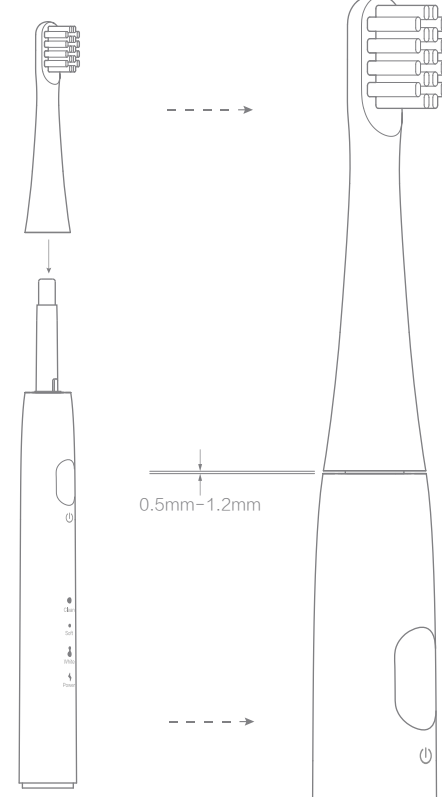
Please note:

When using this product for the first time, you may experience slight itching or bleeding. This occurs when gums are not accustomed to high-frequency cleaning with an electric toothbrush. It is recommended to use this product in Soft Mode initially and switch modes as required after a period of time.

A. Install Brush Head

Please follow the instruction, ensure the bristle point to the heading direction of the button on the handle and then proceed with the installation. Make sure there is 0.5-1.2mm gap between the brush head and the brush handle.

Tips: The gap between the brush head and the brush handle is to ensure that the brush head does not collide with the handle of the toothbrush in the process of high-frequency vibration, so as to ensure that the motor maintains stable power.



3

B. Switch Between Modes

Power On:
Press down the power button to switch on the product. Gradual increase of vibration in 3 seconds.

Mode Switch:
Press the power button again within 10 seconds after switching on the product to switch to the next mode. The sequence shall follow the one-way cycle among 4 modes, namely "cleaning mode-soft mode-whitening mode-power off".

Memory Mode:
When a mode lasts for more than 5 seconds, the system will record this mode as the memory mode. The memory mode will be started by default the next time you power on.

Power Off:
After the product is switched on, press the power button to switch mode: "cleaning mode-soft mode-whitening mode-power off". The toothbrush will be turned off when finished the one-way mode cycle among 4 modes.

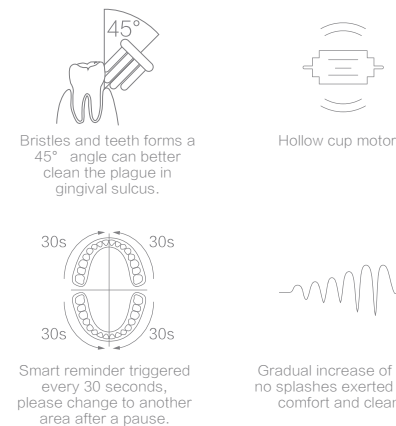
After the product is switched on, use any mode for more than 5 seconds, the toothbrush can be turned off by pressing the power button.
After the product is switched on, use any mode for more than 2 minutes, the toothbrush will be turned off automatically.



***Brushing Timing:**
Smart reminder triggered every 30 seconds in any mode, please change to another area after a 0.3 seconds pause. Brushing time is 2 minutes, the smart reminder will be triggered 3 times, then the toothbrush will be turned off automatically. The timer will reset when switching into a new mode.

C. How to Brush Teeth

This Sonic Electric Toothbrush enables a better support for Bass method recommended by American Dental Association (ADA) and effective cleaning of plaque in your mouth.



*Kindly advise that you press the brush against your teeth gently and move at every 2 teeth in your first use. With the 30s smart reminder, you will get a thorough cleaning of both inside and outside of your teeth.

4

D. Charging

When in use, the power indicator is always on;

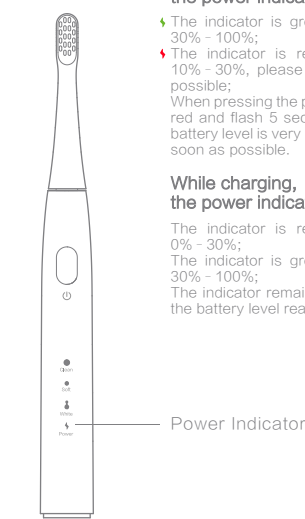
- The indicator is green for a battery level between 30% - 100%;
 - The indicator is red for a battery level between 0% - 30%, please charge the product as soon as possible;
- When pressing the power button, the indicator will be red and flash 5 seconds then light off, it means the battery level is very low, please charge the product as soon as possible.

While charging, the power indicator is breathing;

The indicator is red for a battery level between 0% - 30%;

The indicator is green for a battery level between 30% - 100%;

The indicator remains green without breathing when the battery level reaches 100%.

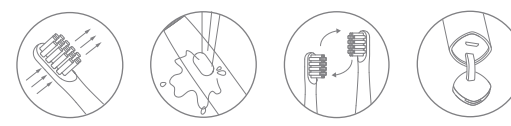


When the battery level is low (the power indicator light flashes red or cannot be turned on), please charge the product. When charging, please first open the protective plug of the charging port at the lower part of the product, then insert the small end of the charging cable into the charging port before connecting the other end to a 5V DC 0.5A DC output power adapter conforming to CE/ETL/KC/PSE, etc. standards (power adapter purchased separately). At least 4 hours from empty to fully charged.

*Notes for Charging:

1. Make sure the power plug and interface are completely dry before connecting to the power supply.
2. This product cannot be used while charging.

E. Clean



*Warning: Do not use hot water above 65 °C (149° F) to wash the toothbrush handle and brush head, otherwise it may cause damage.

5

III Specifications

The Electric Toothbrush	Product Name	DR.BEI Sonic Electric Toothbrush
	Product Model	YMYM GY1
	Rated Voltage	3.7V ---
	Rated Power	1.2W
	IP Rating	IPX7
	Charging Time	At least 4 hours from empty to fully charged
	Rated Input	5V --- 0.2A
Place of Production	Sichuan China	

IV Troubleshooting

Problems	Reasons	Solutions
Brush head cannot attach to power shaft correctly	Sluff clog between the brush head and power shaft; Brush head is not genuine or not matched; Incorrect orienting.	Remove the blocking sluff; Purchase genuine brush head recommended by manufacturer; Align the parts correctly according to the instructions.
Cannot power on	Low power or used up. Product in charging.	Charge the product. Unplug the charge.
Weak brush head vibration	Incorrect or loose attachment of brush head. Sluff clog between the brush head and power shaft.	Attach correctly. Remove the blocking sluff.
Power indicator does not work	Low power or used up.	Charging correctly will soon restore it correctly.

V After-sales Service

If malfunction in Performance Failure List occurs, contact local authorized distributor or retailers.

*Performance Failure List

Performance Failure List
Cannot turn on or off.
Brush head cannot connect to power shaft when there is no foreign matter.
Abnormal vibration of brush head.
Power indicator does not work during charging
Cannot charge the appliance.

6

*WARRANTY EXCLUSIONS

1. Damage caused by unauthorized repair, misuse, collision, neglect, abuse, liquid intake, accidents, alterations or incorrect use of product accessories that is not recommended by the manufacturer, or tear and alter labels or anti-counterfeiting marks.
2. No longer in the validity period of warranty service (repair, refund, replacement).
3. Damage caused by force majeure.
4. Failure to comply with the malfunction listed in Performance Failure List.
5. Failure of the product and its accessories in the Performance Failure List but caused by users.

WEEE Information
WEEE Disposal and Recycling
WEEE Disposal and Recycling Information



All products bearing this symbol are waste electrical and electronic equipment (WEEE as in directive 2012/19/EU) which should not be mixed with unsorted household waste. Instead, you should protect human health and the environment by handing over your waste equipment to a designated collection point for the recycling of waste electrical and electronic equipment, appointed by the government or local authorities. Correct disposal and recycling will help prevent potential negative consequences to the environment and human health. Please contact the installer or local authorities for more information about the location as well as terms and conditions of such collection points.



EU Declaration of Conformity
We, Wuxi QingHeXiaoBei Technology Co., Ltd hereby, declare that this equipment is in compliance with the applicable Directives and European Norms, and amendments.



FCC WARNING
This device complies with part 15 of the FCC Rules. Operation is subject to the following two conditions: (1) this device may not cause harmful interference, and (2) this device must accept any interference received, including interference that may cause undesired operation. Any changes or modifications not expressly approved by the party responsible for compliance could void the user's authority to operate the equipment.

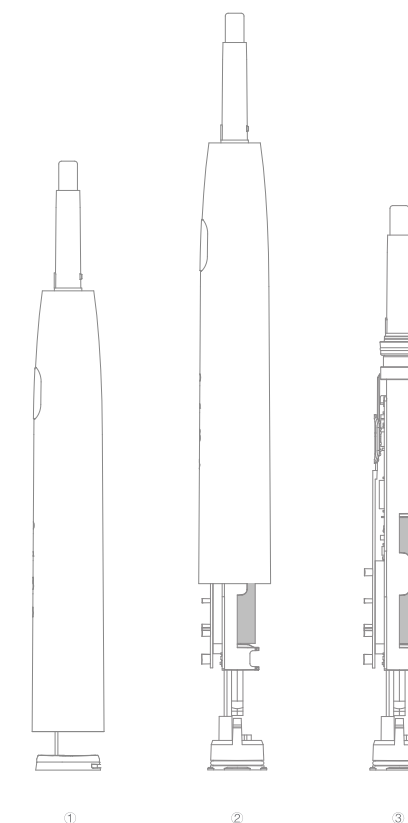
NOTE: This equipment has been tested and found to comply with the limits for a Class B digital device, pursuant to Part 15 of the FCC Rules. These limits are designed to provide reasonable protection against harmful interference in a residential installation. This equipment generates, uses and can radiate radio frequency energy and, if not installed and used in accordance with the instructions, may cause harmful interference to radio communications. However, there is no guarantee that interference will not occur in a particular installation. If this equipment does cause harmful interference to radio or television reception, which can be determined by turning the equipment off and on, the user is encouraged to try to correct the interference by one or more of the following measures:
-- Reorient or relocate the receiving antenna.
-- Increase the separation between the equipment and receiver.
-- Connect the equipment into an outlet on a circuit different from that to which the receiver is connected.
-- Consult the dealer or an experienced radio/TV technician for help.



7

VI Environmental Protection

When the product reaches its usage expectancy, according to the laws and regulations of the country or region, it may be necessary to remove the internal battery in order for it to be recycled and properly handled. If you are unable to remove the battery, please send the product to a government-designated recycling center.



1. Open the protective cap of the USB port;
2. Remove the shell from the handle;
3. Cut the nickel tab behind the battery and remove the battery.

*It is not recommended that the battery is replaced by any user. Forcing the battery out will damage the product's functionality. Please exercise with caution.

*The illustrations of the product, accessories, user interface, etc., in the manual are schematic diagrams for reference only. Due to the updating and upgrading of products, there may be slight differences between the actual product and the schematic diagram. The actual product may be a more up-to-date version.

8

DR.BEI Sonic Electric Toothbrush User Manual

Read the user manual carefully before using and keep it with care for future reference.



Scan to connect and discover more on Facebook.
DR.BEI

Manufacturer: Wuxi Qinghe Xiaobei Technology Co., Ltd.
Address: Room 1106, 11th floor, NO.2 of Building 530, Binhu District, Wuxi City, Jiangsu, P.R. China
After-sales Service: service@doctorbei.com